



HOSHIZAKI

Premier KG 140 C U

Double glass door refrigerator



PRODUCT SERIES: PREMIER
ITEM NUMBER: 184142090
COUNTRY OF ORIGIN: TURKEY

Hoshizaki Premier KG 140 C is a 2/1 GN deep double glass door refrigerator with a net usable volume of 1085 ltr. ranking B in energy efficiency class. It has a cabinet height of 2075mm and depth of 848mm without pedal door opener (depth of 920mm incl. pedal door opener).

- Air circulation system
- Automatic fan cut-out when door is opened
- Automatic defrost with re-evaporation of defrost water
- Clean free condenser (condenser filter not needed)
- Heavy duty cabinet
- Climate class 5 cooling system enduring up to +40°C ambient temperature
- Exterior and interior of stainless steel AISI 304
- Anti-tilt shelf supports moulded into the inner lining
- Internal LED lighting
- Right hand hinged reversible door
- Automatic door closing
- Door lock
- Removable magnetic door gaskets
- Pedal door opener with overload protection (included as accessory)
- Pan-shaped inside base with rounded corners to catch fluids
- Low sound level
- IP21 water protection
- Matching design identity as the Premier counters

ACCESSORIES INCLUDED

6 grey shelves (530 x 650mm) + 2 bottom shelves Pedal door openers with overload protection

OPTIONAL ACCESSORIES

- Set of legs 130-180mm
- Grey shelf with back guard
- Grey bottom shelf with back guard
- Stainless shelf with back guard
- Stainless bottom shelf with back guard
- Set of stainless shelves (6 top and 2 bottom) with back guard
- Shelf support U-shape, left side
- Shelf support U-shape, right side
- Master key

WARRANTY PERIOD
6 Years on Parts & Labour

EXTERIOR
Stainless steel AISI 304

INTERIOR
Stainless steel AISI 304

Refrigerant: R290 / Refrigerant (kg): 0.14 / CO2 equivalent (kg): 0.42

CERTIFICATIONS



Energy consumption (kWh/Year)	Energy efficiency class	Energy efficiency class standard	Energy Efficiency Index EEI
825	B	ISO 22041-2019	34.47



HOSHIZAKI

Premier KG 140 C U

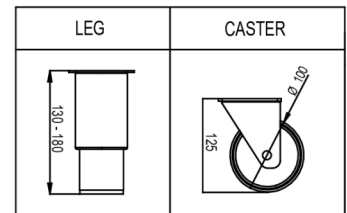
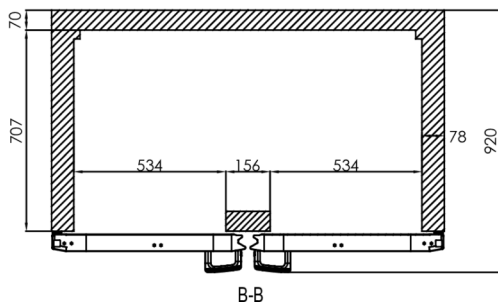
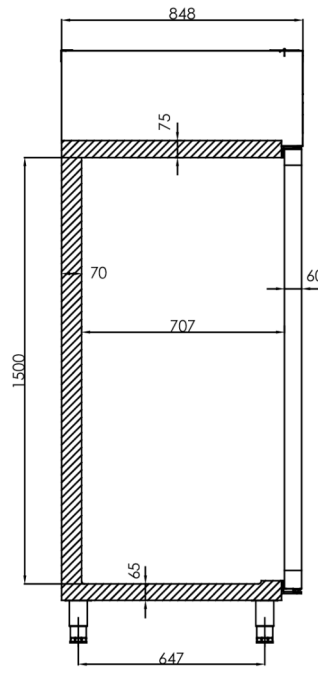
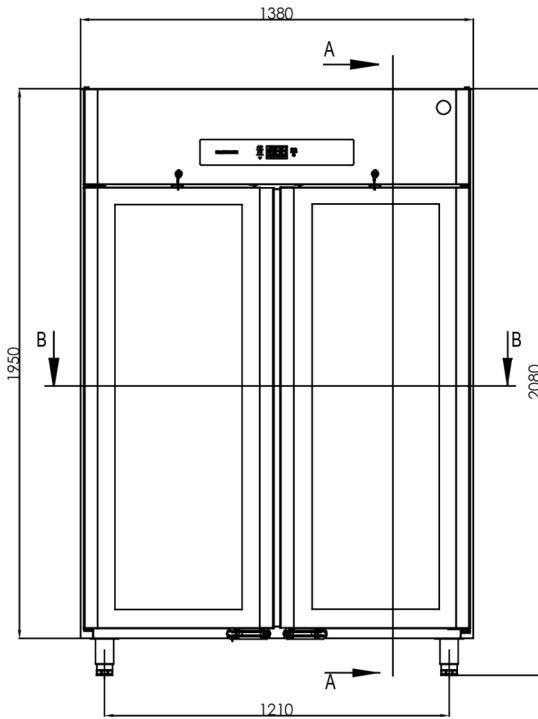
TECHNICAL SPECIFICATIONS

Temperature Range	GN or Tray Size (mm)	Volume, Gross (ltr.)	Net Usable Volume (ltr.)	Power Supply	Connection Load (Watt)	Ref. capacity at -10°C (Watt)	Climate Class	Sound Level – dB(A)
+2/+12°C	2/1 GN deep	1,400	1,085	230V, 50 Hz	200	361	4 (max. ambient temp. of 30 °C with 55% RH)	50

SHIPPING SPECIFICATIONS

Dimensions W x D x H (mm)	Net Weight (kg)	Dimensions, Packed, W x D x H (mm)	Weight, Packed (kg)	Volume Packed (m3)
1380 x 848 x 2075 (including castors)	212	1420 x 880 x 2150	224	2.68

Disclaimer: Every effort has been made to ensure that the information contained in this spec sheet is accurate at the time of publishing. Hoshizaki Europe BV assumes no responsibility or liability for typographical errors or omissions or for any misinterpretation of the information within the publication and reserves the right to change without notice.



Hoshizaki Belgium
Hoshizaki Danmark
Hoshizaki Deutschland
Hoshizaki France
Hoshizaki Iberia
Hoshizaki Italia
Hoshizaki Middle East

info@hoshizaki.be
info@hoshizaki.dk
vertrieb@hoshizaki.de
info@hoshizaki.fr
info@hoshizaki.es
commerciale@hoshizaki.it
sales.ex@hoshizaki-europe.com

Hoshizaki Netherlands info@hoshizaki.nl
Hoshizaki Norge salg@hoshizaki.no
Hoshizaki Sverige orderSE@hoshizaki.dk
Hoshizaki UK uksales@hoshizaki.uk
Export countries sales.ex@hoshizaki-europe.com
Other countries sales.ex@hoshizaki-europe.com

www.hoshizaki.uk